



Watertight Distribution Enclosures IP65 - GCUT6



The IP65 boxes have a completely new and innovative shape, reaching the highest level of quality and design.

They are made from halogen free long-lasting thermoplastic materials, ABS and polycarbonate. They have lots of space for wiring and also the possibility to place the Din rail in two height positions. Mounting plates and other accessories can be installed on the base inside.

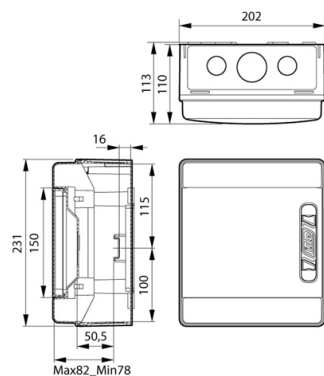
Doors are transparent and hinged, opening to 180°. Transparent doors are UV protected. The four screws linking base and frame are sealable.

As accessories there are earth and neutral bars in double height possible, section 12x 6,5 mm. in order to reach 125A of permissible intensity.

Apart from the standard locking system, key-locks and triangle locks are also offered as accessories. Modular capacity from 4 up to 54.

Information on Enclosure

- Type: 1x6 modules DIN rail
- Cable entries: 2xM25 + 1xM40
-



Technical Data

- Degree of Protection: IP65
- Resistance to Impact: IK08
- Auto-extinguishing degree: HB (UL94)
- Test of resistance to glow wire: 650° C
- Ball Pressure Test: 70° C
- Range of temperature under normal conditions: -25°C - +40°C
- Halogen free materials
aBs and polycarbonate



Dokument/document		Utgava datum/edition date
Försäkran om överensstämmelse/ Declaration of conformity		2011-06-08
Avdelning/department Kvalite/Quality		
Ansvarig/prepared Magnus Arvidsson	Version 3	Sida/page 1 av/of 1

Supplier/Tillverkare: **GARO AB**
Box 203
S-335 25 GNOSJO Telephone: +46 (0)370 33 28 00
Sweden Telefax: +46 (0)370 33 28 50

Supplier established within EU/Ombud etablerad inom EG

Supplier of equipment /Materielslag : Consumer unit/Normcentral

Trade Mark/ Varumärke: GARO

Type Designation / Typbeteckning: G... , GM... , NUM ... , NIM ... , NUM.GM ... , NUM.GT ... , NUM.L ..., NEM .. , NCI..., NCID ... , NCU ... , NCUP ... and / och GCUT

We hereby declare that our product fulfils the requirements of following EC directives/
Vi intygar härmed att vår produkt uppfyller krav enligt följande EU direktiv:

- The Low Voltage Directive (LVD) 2014/35/EU / Lågspänningsdirektivet (LVD) 2014/35/EU.
- Electromagnetic compatibility (EMC) 2004/108/EU / Elektromagnetisk kompatibilitet (EMC) 2004/ 108/EG.
- RoHS Directive (RoHS) 2011/65/EU / RoHS direktivet (RoHS) 2011/65/EG.
- No electromagnetic compatibility (EMC) immunity or emission tests are required on the assembly/
Produkten innehåller inte elektroniska apparater som påverkas enligt förbehållen enligt direktivet (EMC) 2004/108/EG.

The following harmonised standards (latest edition) or technical specifications which comply with good engineering practice in safety matters in force within the EU have been used in the design: /

Följande harmoniserade standarder (senaste utgåva) eller tekniska specifikationer som uppfyller god säkerhetsteknik praxis inom EG har använts i konstruktionen: SS EN 63439-3

The equipment conforms completely with the above stated harmonised standards or technical specifications. /
Materielen överensstämmer helt med ovan angivna harmoniserade standarder eller tekniska specifikationer.

Or/ Eller

- The equipment confirms only partially with the above stated harmonised standards or technical specifications but complies with good practice in safety matters in force within the EU. /
Materielen överensstämmer endast delvis med ovan angivna harmoniserade standarder eller tekniska specifikationer, men uppfyller god säkerhetsteknik praxis inom EG.

We have product surveillance according to CENELEC's harmonised requirements, documents CCA-201.

Garo AB
Company/Företag

2013-06-18
Date/Datum

Sign/Underskrift

Environmental- and Quality Manager/Kvalitets- och Miljöchef
Position/Befattning

Magnus Arvidsson
Name / Namnförtydligande